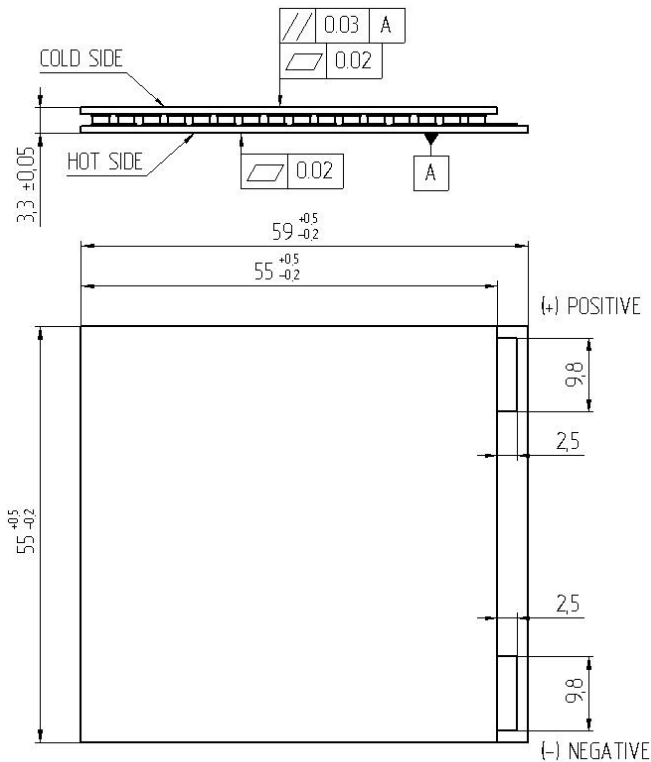
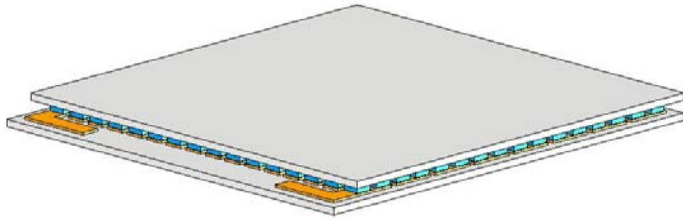


SPECIFICATION OF THERMOELECTRIC MODULE TB-127-2.2-0.95


Thermoelectrical parameters	Unit	Value
I_{max}	Amps	23.4
U_{max}	Volts	15.5
ΔT_{max}	K	68
Q_{max}	Watts	223.0
R_{ac} (at 295 K)	Ohm	0.51
Tolerance	%	±10

All parameters except R_{ac} are given at Th=300 K

Assembly parameters	Unit	Value
Wires		-
Cross section	mm²	-
Metallization		Not
Sealing		Not
Internal solder	°C	139
Brazing solder	°C	not

Operational parameters	Unit	Value
Working temperature range	°C	-50 ÷ +80
Max. processing temperature	°C	130
ROHS compliance		YES

