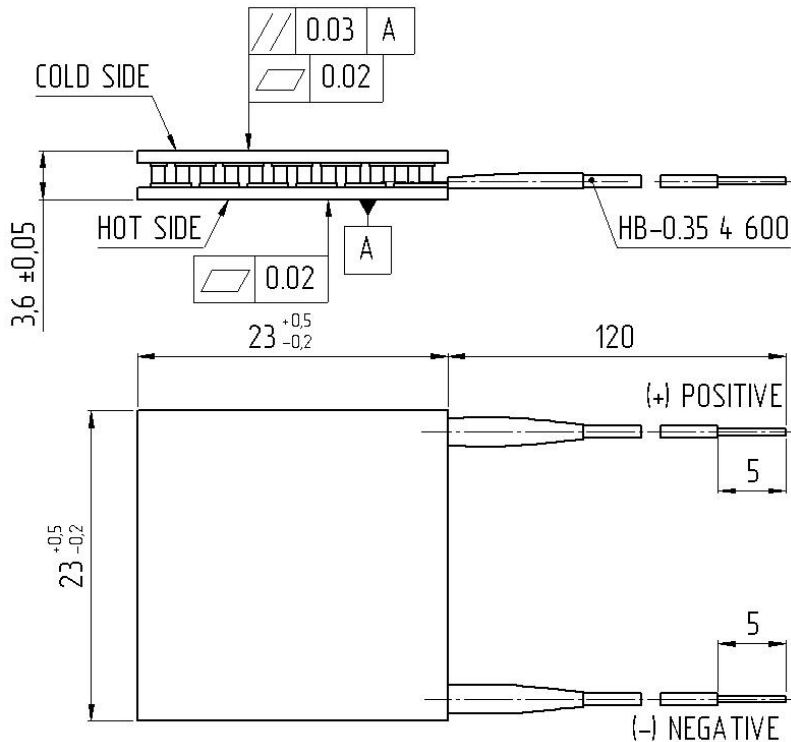
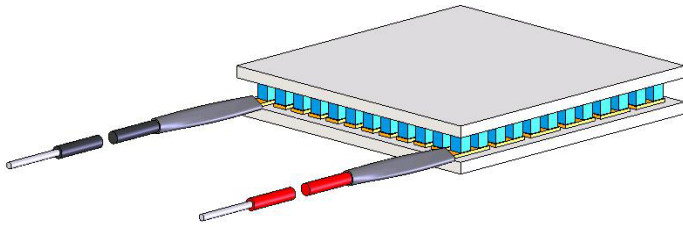


**SPECIFICATION OF THERMOELECTRIC MODULE TB-71-1.0-1.3**


Thermoelectrical parameters	Unit	Value
$I_{max}$	Amps	3.6
$U_{max}$	Volts	8.8
$\Delta T_{max}$	K	69
$Q_{max}$	Watts	19.3
$R_{ac}$ (at 295 K)	Ohm	1.8
Tolerance	%	$\pm 10$

*All parameters except  $R_{ac}$  are given at  $T_h=300$  K*

Assembly parameters	Unit	Value
Wires		HB-0.35 4 600
Cross section	$mm^2$	0.35
Metallization		Not
Sealing		Not
Internal solder	$^{\circ}C$	139
Brazing solder	$^{\circ}C$	not

Operational parameters	Unit	Value
Working temperature range	$^{\circ}C$	$-50 \div +80$
Max. processing temperature	$^{\circ}C$	130
ROHS compliance		YES

