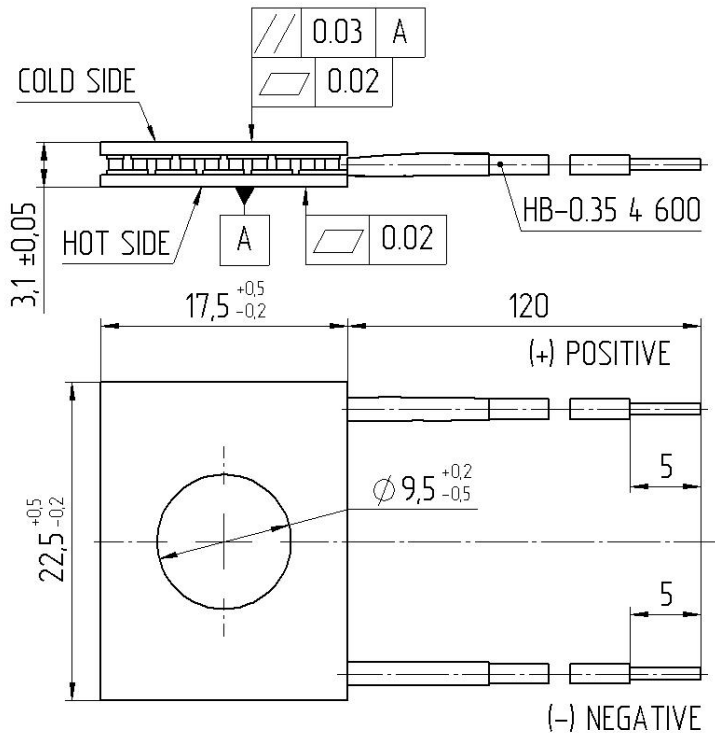
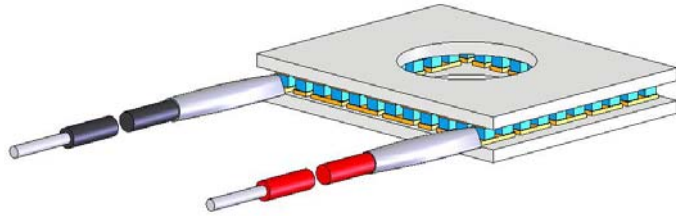


SPECIFICATION OF THERMOELECTRIC MODULE TB-41-1.0-0.8CH


| Thermoelectric parameters | Unit | Value |
|----------------------------------|--------------|-------------|
| I_{max} | Amps | 5.7 |
| U_{max} | Volts | 5.0 |
| ΔT_{max} | K | 68 |
| Q_{max} | Watts | 17.7 |
| R_{ac} (at 295 K) | Ohm | 0.7 |
| Tolerance | % | ±10 |

All parameters except R_{ac} are given at Th=300 K

| Assembly parameters | Unit | Value |
|------------------------|-----------------------|-------------|
| Wires | HB-0.35 4 600 | |
| Cross section | mm² | 0.35 |
| Metallization | Not | |
| Sealing | Not | |
| Internal solder | °C | 139 |
| Brazing solder | °C | Not |

| Operation parameters | Unit | Value |
|------------------------------------|-----------|------------------|
| Working temperature range | °C | -50 ÷ +80 |
| Max. processing temperature | °C | 120 |
| ROHS compliance | | YES |

